



Distributed By:


Tool+Cutter

www.toolandcutter.com

support@toolandcutter.com

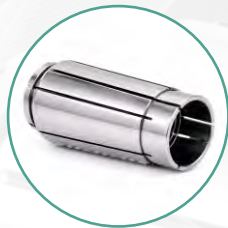
1.800.265.6056



BUY ONE SK COLLET GET ONE FREE!

 SK6 | SK10 | SK13 | SK16
SK20 | SK25

(Note: Free Collet Must be of the same SK Series.)



USE PROMO CODE: **SKB1G1DEAL**

FEATURES:

- Accuracy: ≤ 5 Micron (0.0002" TIR) or better
- Full Range of Inch & Metric Sizes Available.
- Enhanced gripping performance compared to standard collets
- Covers sizes from 2mm to 25mm
- Series available: SK06 through Sk25



PAC CERTIFIED QUALITY

**VALID
THROUGH**
June 30th, 2026

ORDER TODAY!

Note: Other offers can not be combined.


Tool+Cutter

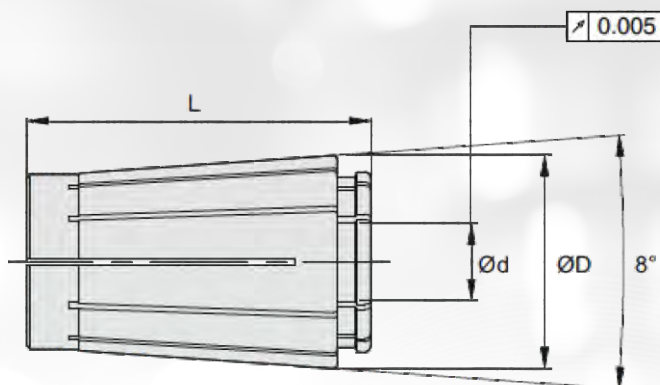
www.toolandcutter.com

support@toolandcutter.com

1.800.265.6056



DIMENSIONS :



SK COLLET SERIES	D	L	METRIC RANGE	INCH RANGE
SK6	11mm	25mm	2mm to 6mm	3/32" to 7/32"
SK10	16mm	30mm	2mm to 10mm	3/32" to 3/8"
SK13	20mm	39mm	3mm to 13mm	1/8" to 17/32"
SK16	25mm	45mm	3mm to 16mm	1/8" to 5/8"
SK20	30mm	50mm	3mm to 20.5mm	1/8" to 13/16"
SK25	36mm	57mm	3mm to 25mm	1/8" to 31/32"



Tool+Cutter

www.toolandcutter.com

support@toolandcutter.com

1.800.265.6056

